

Appl. No. 10/751,179  
Amdt. dated February 1, 2006  
Reply to Office action of November 2, 2005

Replacement Sheet

4/6

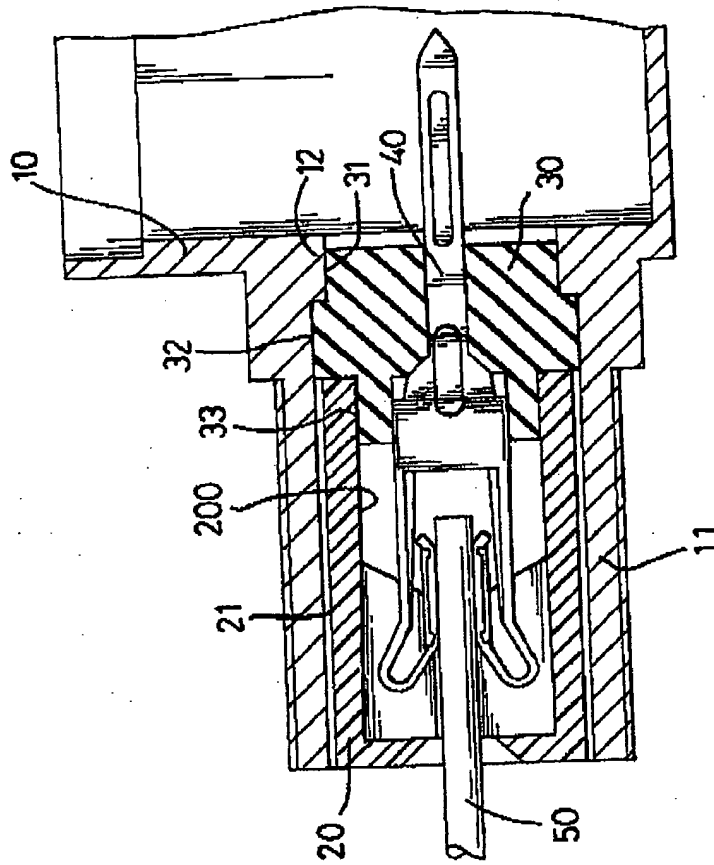


FIG. 4